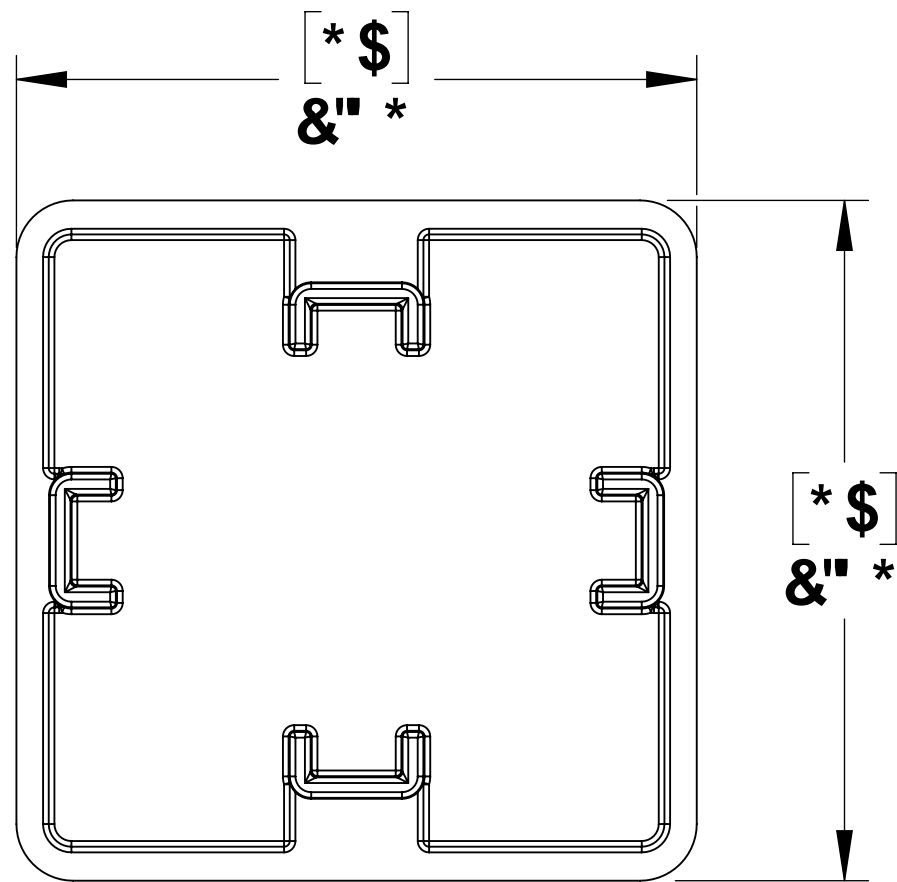
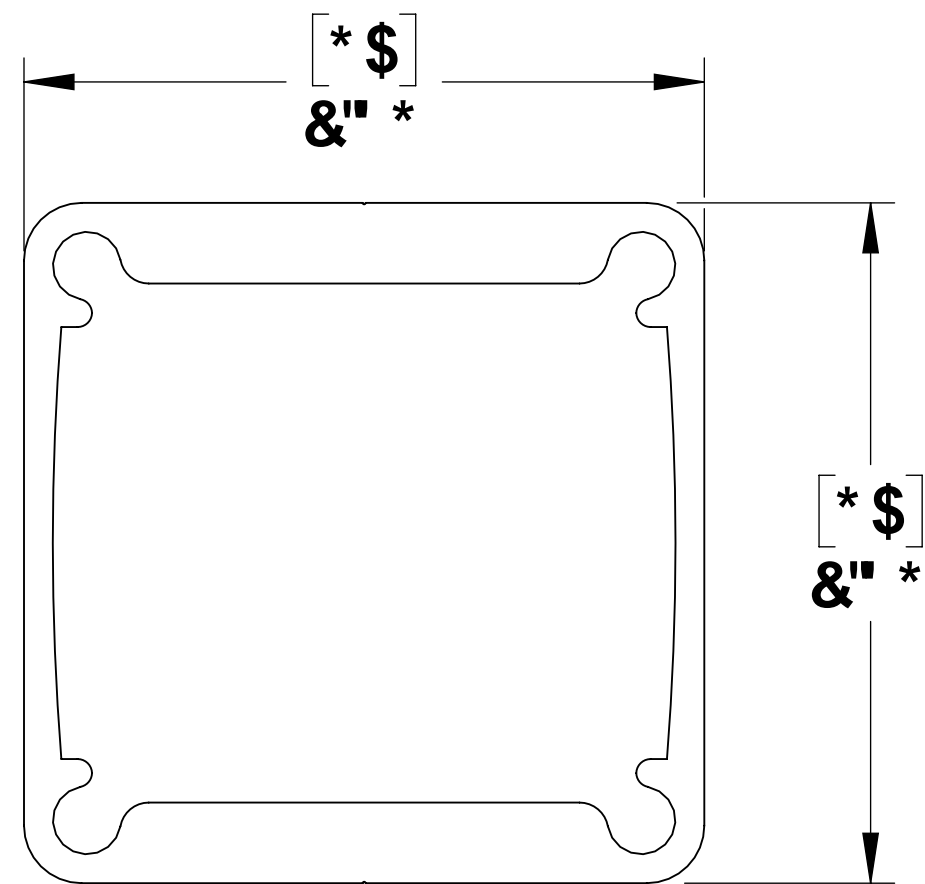
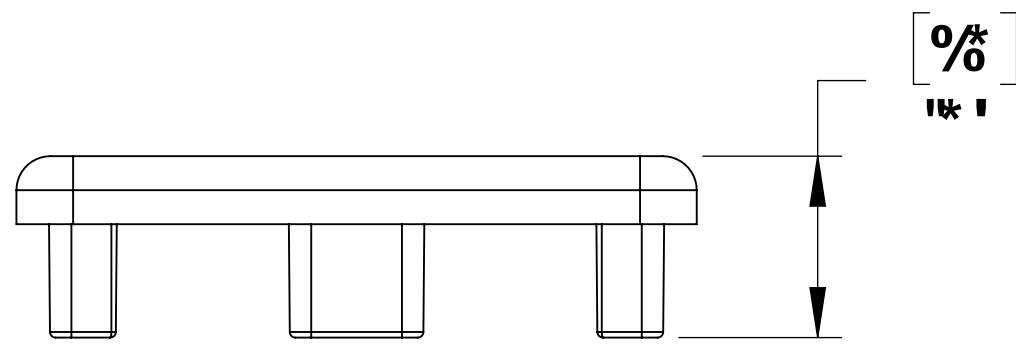
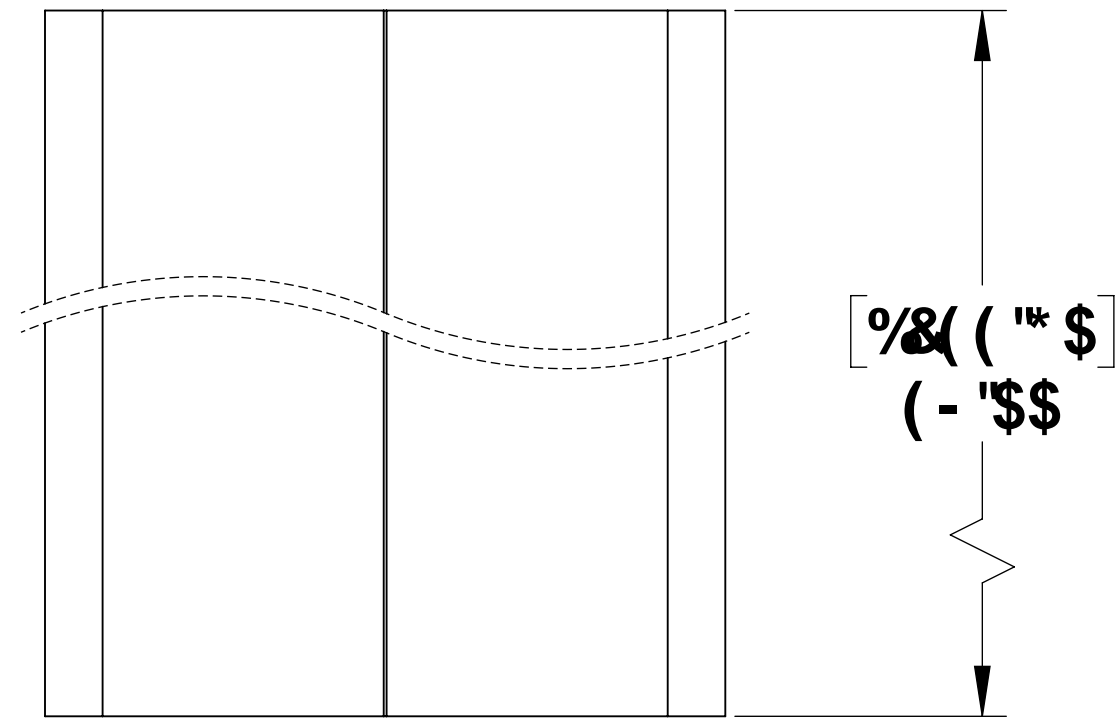
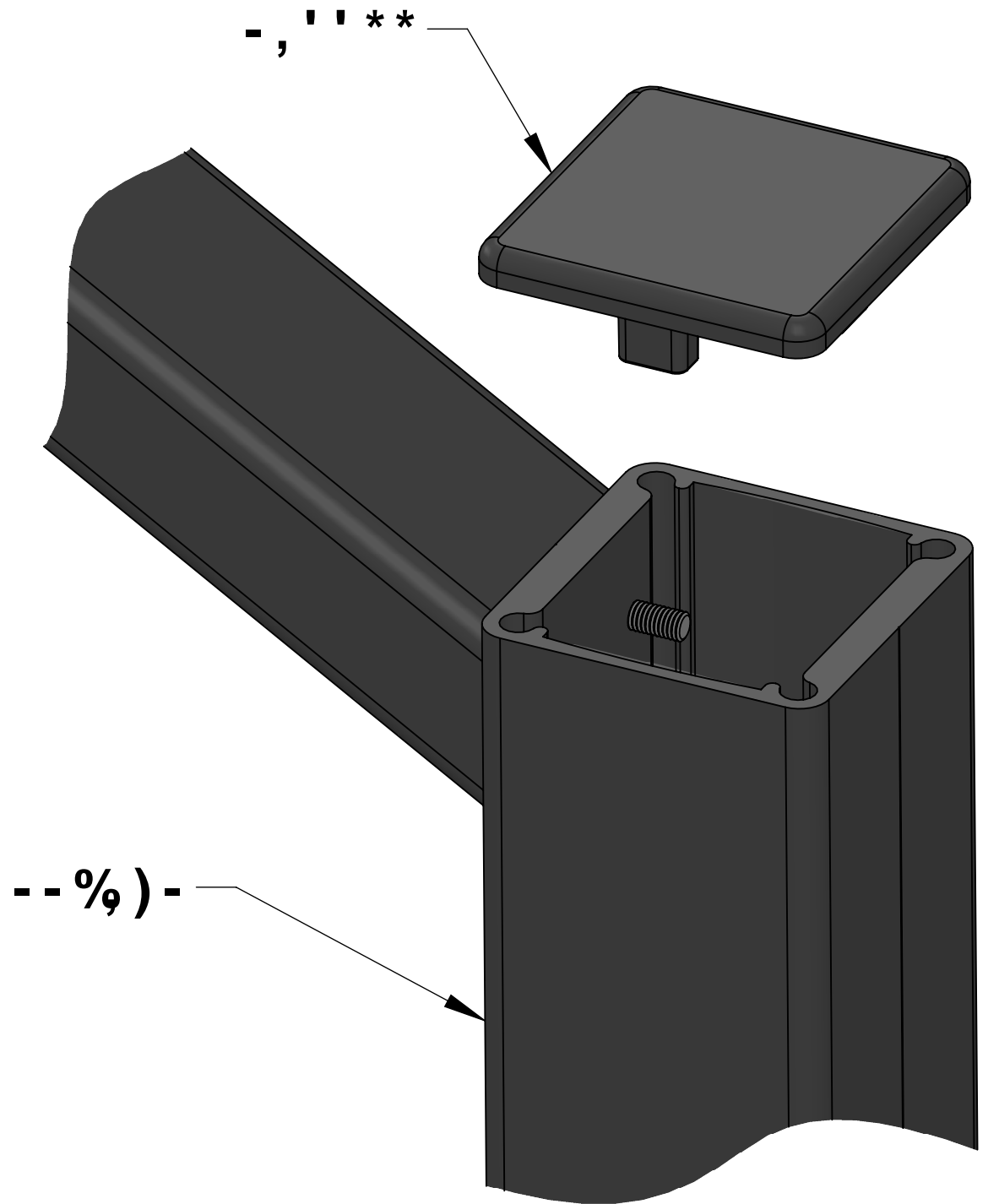
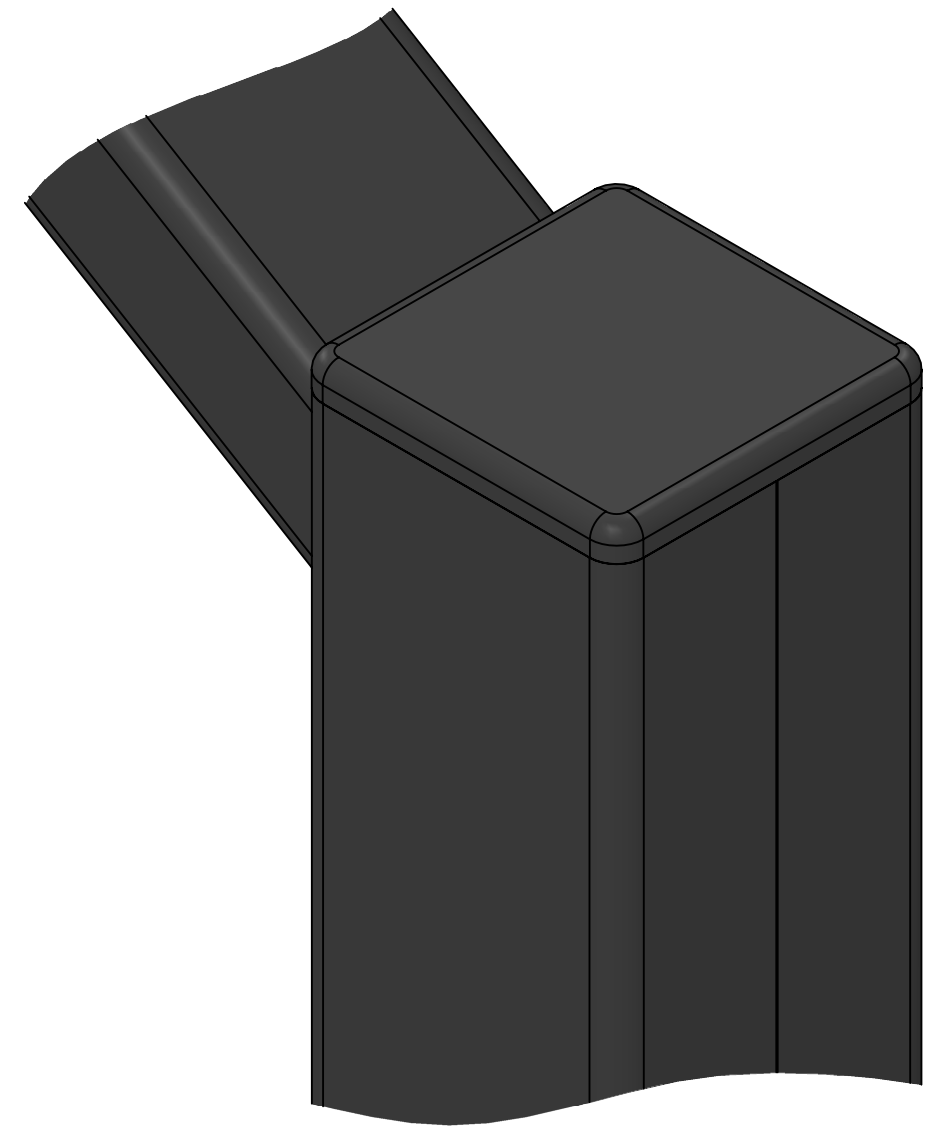


#9A 'BC"	D5 FH'BI A69F	89G7 F-DHCB	EHM'
F	JJFì Í J	VÒÜT Ø OŠÁU ÙVÁM ÖÜŠŠÖÖ	F
G	Jì HÍ Î	ÚU ÙVÁÔŒÛËVÒÜT Ø OŠ	F



-- %) -

- , ' ' * *



	BC H9G I B@XGCH:9K 49GD97 4 98		B5A 9	8519	H#89
	%81 5 @8A 9BGC BGG-CK B1" B7 < 9C A A Q & A 57 < B 98 Q F: 57 9GHC 69" i B A 5L" -- D5FHHC 69: F99C: 6I FFG5B8 G: 5FD 98: 9G (* 5 @8A 5H@ 5@C 697 @95BZ 89: F95G98 5B8: F99 C: 5 @8A DI F H9C) 5BM7 < 5B: 9A I G16951 H: CF N98 6M5B G7 / F 98: 8 99F	8A 9BGC BG5F9B B7 < 9G : F57HC B5 @ 5B: I @5F A 57 < HK C D@57 9897 A 5@ H: F99D@57 9897 A 5@ A 5H@ 5@	8F5K B G7 F %8#(#)% 9B: 5D0F* A: 5D0F* 7CA A 98HG	756@F5-@B; DC GH! : 5G7 5' A CI BH HFA B5@	
H: 9 @: CFA 5HC B 7C B16 @8 @ H: 6BF5K @: 6H 9 G: @9DC D@H@: 0@ 6@9C7 5@9 5B8 F5 @8: * 5BM90C 81 7@ B B D5FHC F 5G5 K < @8K H: C I H H: 9K F 4H8 D9A 4@C B: C: 0@ 6@9C7 5@9 5B8 F5 @8: * 6DFC < 4H8	GNP 7	8K ; " BC" + ' ((, \$	F9J \$%	G7 5 @9 %% K 9@ < H G< 99H% C: %	